

3 x 6 m Premium

- DE **Aufbauanleitung** Faltpavillon
- GB **Assembly instruction** Folding tent
- PL **Instrukcja montażu** Namiot ekspresowy
- NL **Montagehandleiding** Vouwtent
- FR **Mode d'emploi** Tente pliante
- CZ **Montážní instrukce** Skládací stan
- ES **Manual de instrucciones** Carpa plegable



GB Safety Instructions

Introduction

Congratulations on the purchase of your new product and welcome to TOOLPORT. Our customer service department or authorised sales representative will be happy to answer your questions and give any valuable instructions. Your new tent will give you freedom to plan many activities. It can be used at a party, to screen you from the sunlight, as a shelter, for storage and in many other ways.

Please observe the instructions provided below in order to extend the useful life of your tent.

Important

Please read these assembly instructions before usage of the tent and keep it for future reference.

Safety

The tent was not tested for wind and snow loads, unless that is clearly indicated by the manufacturer. Therefore, these loads are not covered by guarantee. Please watch the weather forecasts to be able to properly protect or disassemble the tent before problems appear.

Warnings

1. Tents are intended for temporary accommodation and should be taken down in adverse weather conditions.
2. Always be sure to keep sufficient distance to hoses as well as gas and power lines to avoid possible damage. Please check the area for power cables and gas lines. Ask your local authority for further information to avoid damages.
3. When using suitable heaters (available e. g. in specialist shops), keep a minimum distance of 1.2 m to tarp material. Open fire or heaters with open flames such as patio heaters, umbrella heaters, gas heaters etc. should not be used in any case.
4. The person setting up the tent is responsible for adequately securing it to ensure its safety. Please check the anchoring constantly to avoid damages. A stabil anchoring can extend the endurance of the tent.
5. Please make sure that there is no permanent snow load. It should be removed right away. The same applies for rain and other forms of load.

Children should not play with the spare parts of the tent. These components must be adequately protected. Please find a flat and even ground base to pitch the tent. Only those materials provided with the tent can be used.

Caution!

Please check whether the ground base is suitable for your purpose.

Each country has separate regulations regarding movable structures (tents) and unmovable structures. Please ask your local authorities whether a permission be obtained to pitch the tent. In some countries this depends on the size of the tent. The tarps should not come into contact with any objects with sharp edges.

Before first usage

Please unpack the cartons and check whether all parts have been delivered.

Cleaning and storage

Please do not use aggressive chemicals to clean the tarp material. The best cleaning agent is water with slightly alkaline reaction. The tent should not be folded and packed when wet. First dry it thoroughly.

Do not make any modifications of the metal structure of the tent, such as for example, connecting and/or welding additional loads, making grooves and/or any deformations.

Please be careful when handling individual components of the tent.

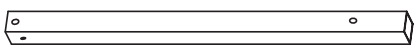

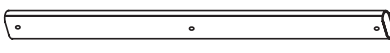
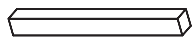
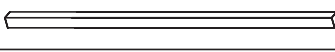


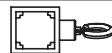





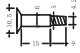
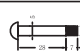








Environment

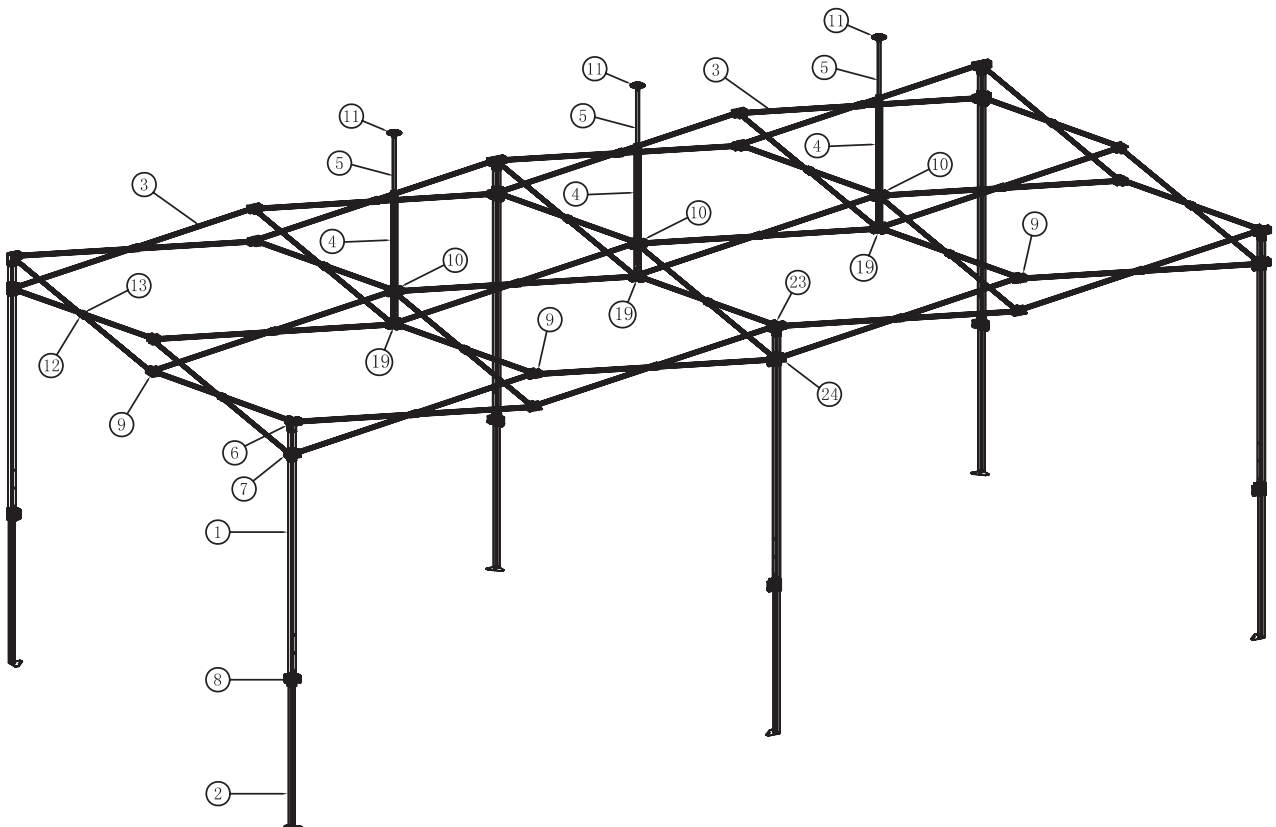
After the end of usage, please do not dispose of the tent or any of its components with ordinary garbage, but recycle it. If in doubt, please ask the manufacturer or an authorised sales representative. We will be happy to help you recycle the tent correctly, at the same time preserving the environment.

Guarantee and customer services

If you need any information or have any problems, please contact us at the following email address: helpme@TOOLPORT.de, or contact TOOLPORT Service-Center in your country. Our phone number is: + 49 40 - 608 72 717 in Germany, or please check our website www.houseoftents.co.uk.

PARTS LIST

1		6pcs
2		6pcs
3		44pcs
4		3pcs
5		3pcs
6		4pcs
7		4pcs
8		6pcs
9		12pcs
10		3pcs
11		3pcs
12		22pcs
13		22pcs
14		88pcs
15		22pcs
16		21pcs
17		22pcs
18		3pcs
19		3pcs
20	12pcs	
21		6pcs
22		1pc
23		2pcs
24		2pcs

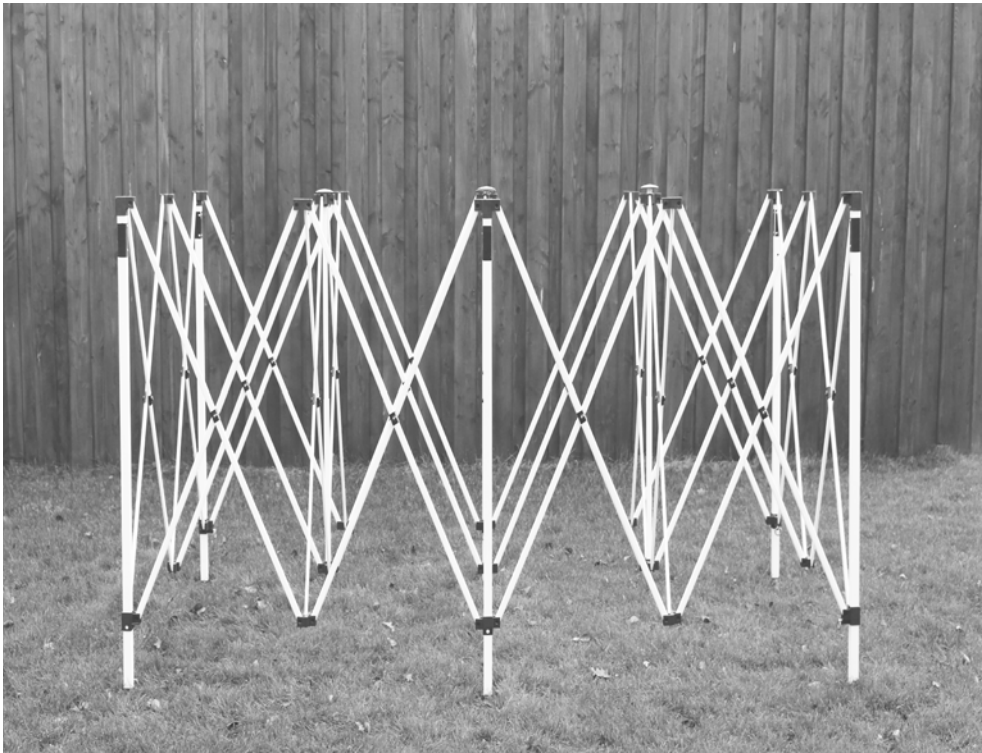




1



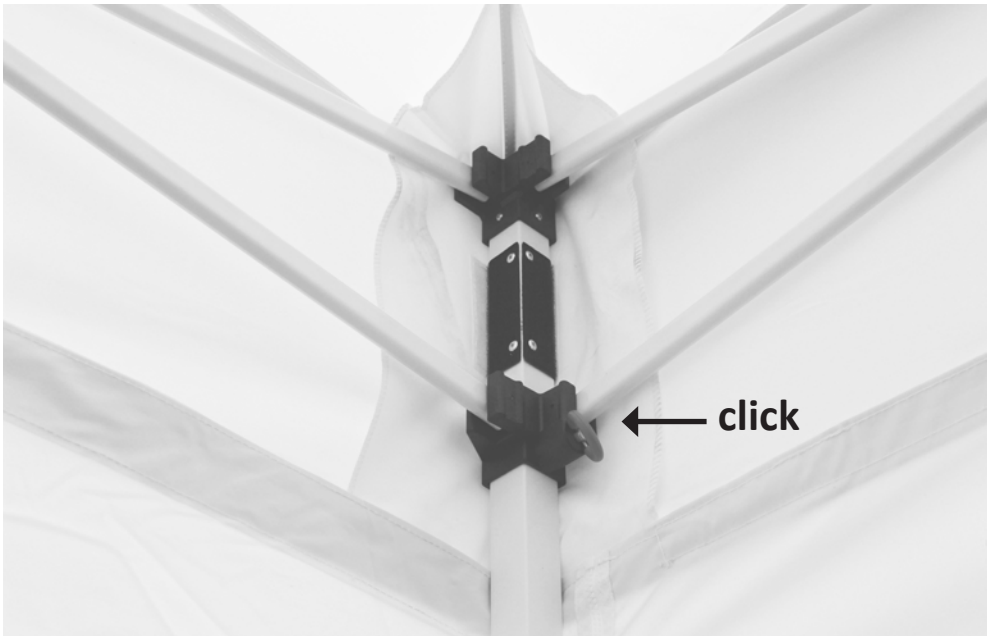
2



3



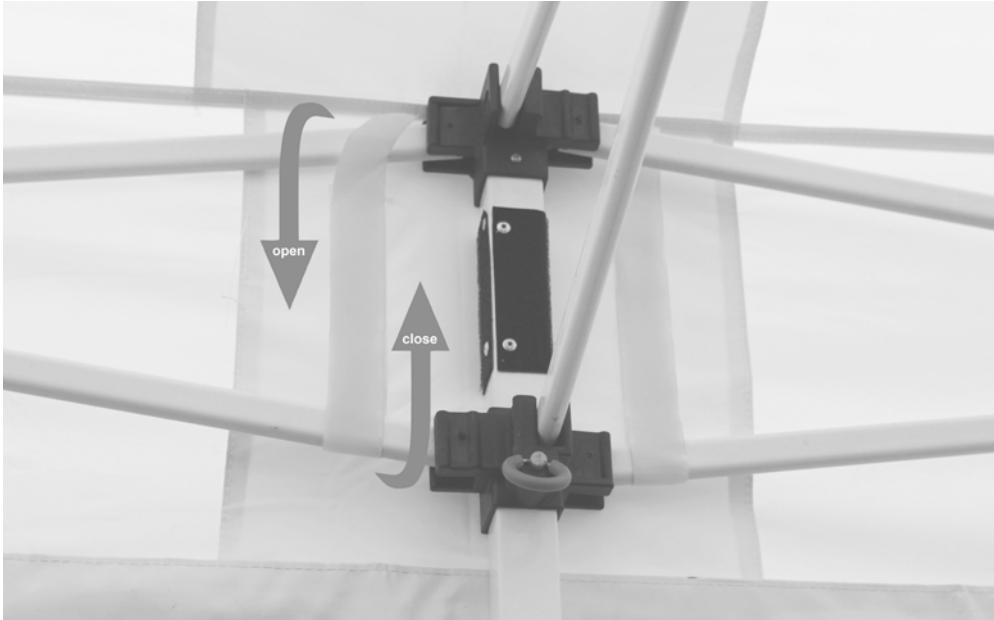
4



5



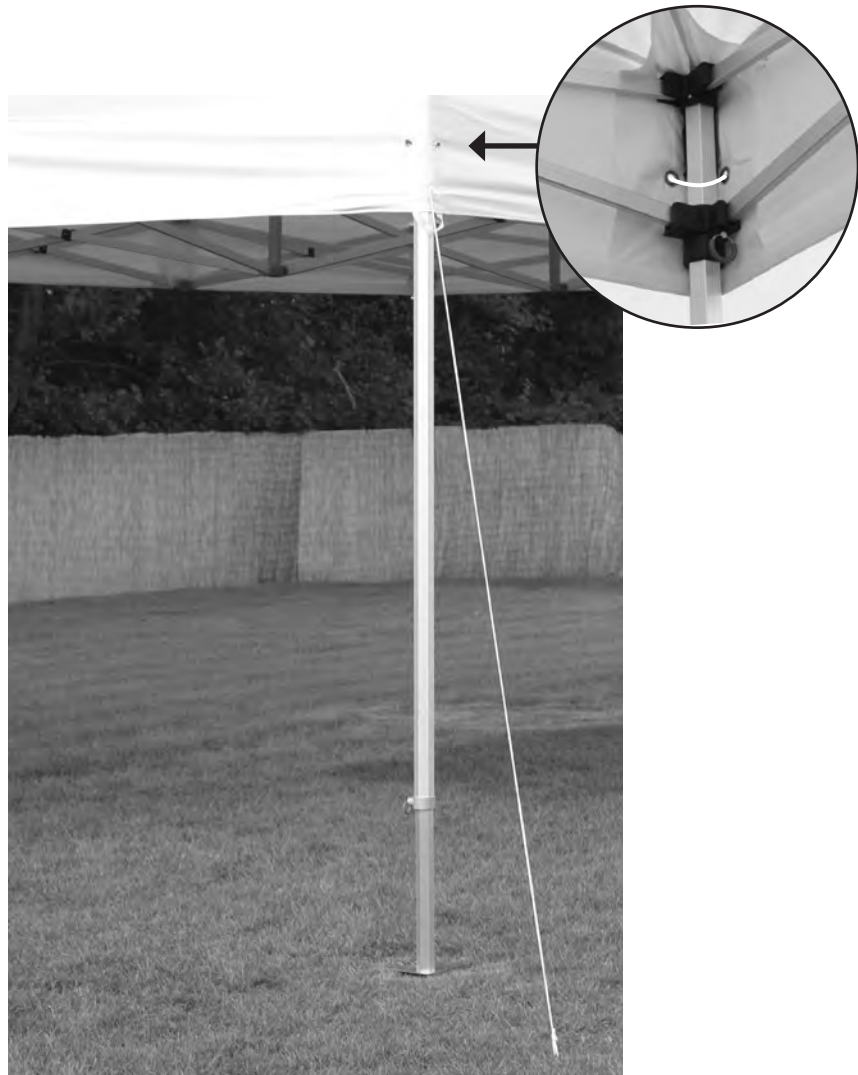
6



7



8





9

